

# SERVICE BULLETIN

## AUTOMATIC MUSIC, INC.

1500 UNION AVENUE, S. E., GRAND RAPIDS 2, MICHIGAN • TELEPHONE CHERRY 3-3633

# AMI

August 18, 1960

BULLETIN NO. 186

### Model K, Lyric, Continental

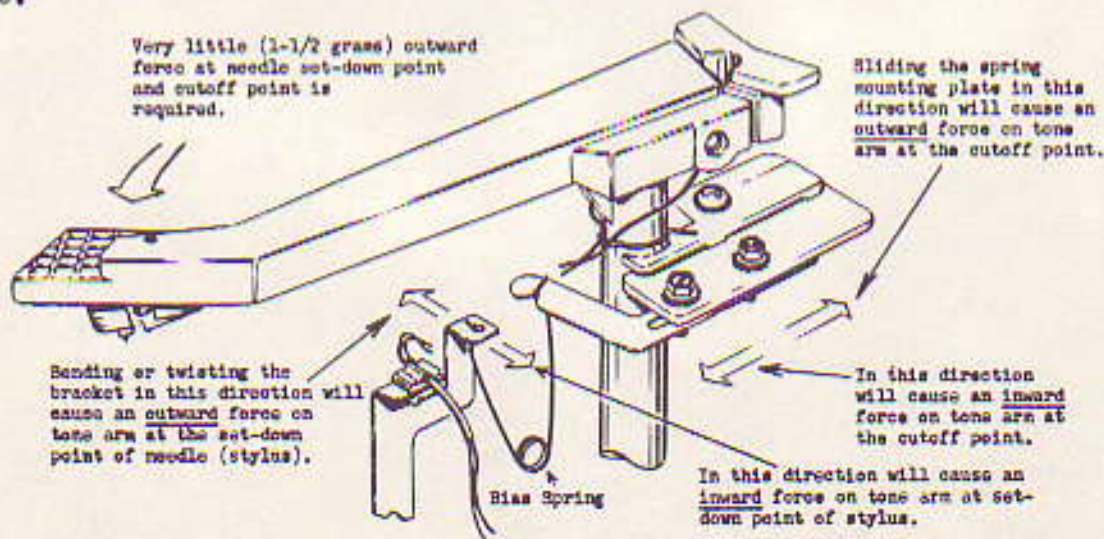
SUBJECT: Tone Arm and Bias Spring Adjustments

Since the publication of the Model K Record Changer Service Manual, certain changes have been made to the tone arm that make it easier to obtain proper tone tracking at low needle pressure. These changes are:

The addition of a counterbalance weight to the tone arm,  
The addition of a stiffener blade to the needle pressure adjustment spring,  
New, light-weight tone arm cable,  
A new "safety pin" type tone arm bias spring.

The adjustments of the tone arm bias spring are shown in the attached illustration. When the adjustments are correct, there will be a very small outward force on the tone arm when the needle sets down and also at the cutoff point.

To check the lateral force on the tone arm, prop it up by inserting a match, paper clip, or the like, between the tone arm and its rest. The tone arm should not swing in. It should have a tendency to drift out. The force required to push the tone arm in to the point where the cutoff switch operates should not be more than 1-1/2 grams. This should be measured level with the needle.



CLB/hr

APPLICATIONS ENGINEERING

SINCE 1909 DESIGNERS, ENGINEERS AND MANUFACTURERS OF AUTOMATIC MUSICAL INSTRUMENTS FOR BUSINESS AND INDUSTRY

AFFILIATE OF AUTOMATIC  
CANTEN COMPANY OF AMERICA